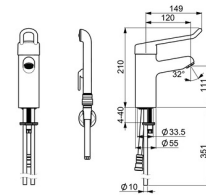
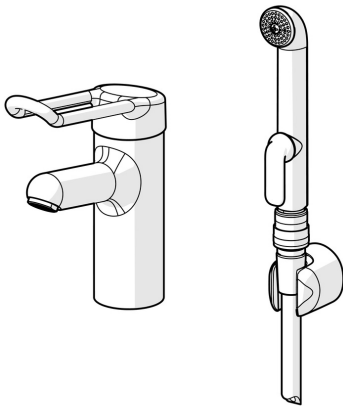


EAN: 4015474293960
static.hansa.com/01662195



- Health & Care
- Single-lever, Bidetta
- Deck mounted
- Chrome
- Fixed spout
- Laminar stream
- Long shape, Loop shape, Hot/Cold symbols, Single operating lever/handle
- Push operated diverter, Automatic reset
- Hand shower, Shower holder, Shower hose (1500 mm)
- Sensitive – Gentle water stream
- Bidetta hand shower, Quick release coupling
- Limitation option for maximum temperature and flow-rate, Adjustable hot water stop (included, retrofittable)
- ø 48 mm ceramic cartridge for flow and temperature control
- Copper inlet pipes
- Inner body made of DZR brass, Waterways without nickel coating, Surfaces in contact with drinking water contain less than 0.3% lead, Disinfection proof (max. +95°C), Rapid installation system
- Without pop-up waste, Without draw-rod opening
- Hand shower disinfection proof (max. +95°C)
- 1 spray function



Technical data

Flow properties

Flow-rate at 3 bar **9.0 / 10.8 l/min**

Technical properties

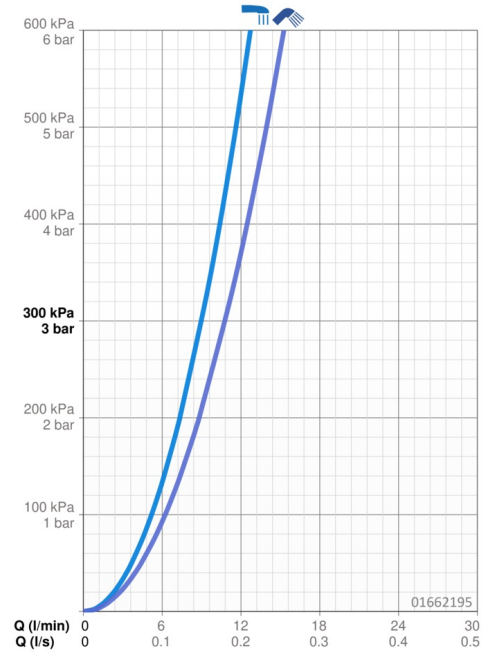
DN-size (nominal dimension) **DN15**
 Hot water supply **max. +80°C**
 Working pressure **0.5-10 bar**
 Connection size **Ø 10 mm**
 Projection **120 mm**
 Backflow prevention (EN1717) **HC**
 Material **Brass**

Regulations

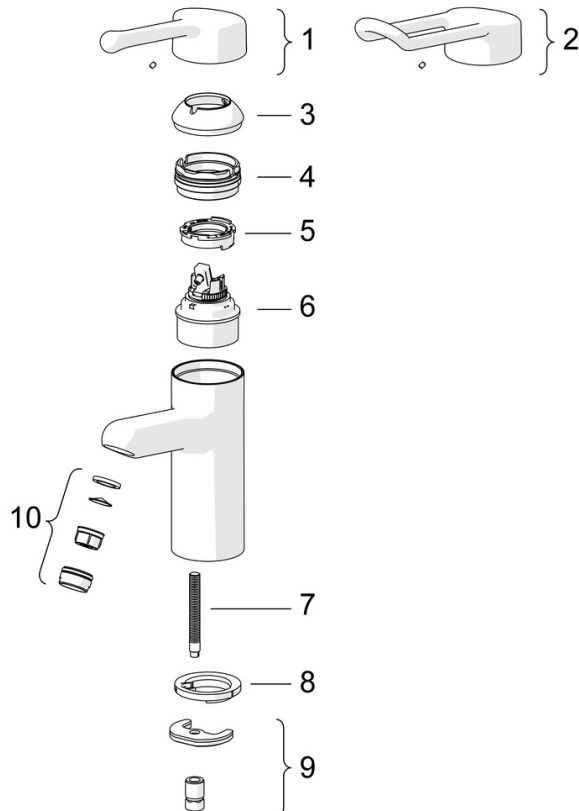
EN standard **EN 817, EN 1113**

Approvals and Declarations

Declaration of conformity **DoC**



Spare parts



SP01662195

	Name	Code
01	Long lever, L=143	02450006
02	Long lever, L=149	02440005
03	Covering cap	59914069
04	Tightening nut, M50x1, SW45	59914070
05	Hot water limiter	59904759
06	Cartridge, 4.8 Classic	59911437
07	Fixing screw, M8x1, L=140	59912474
08	Bottom seal	59914591
09	Fixing set	59910749
10	Aerator, M24x1 STD PL HC A Laminar (2013-)	59914054
N.I.	Quick-release coupling, G1/2	04050200
N.I.	Connector, G1/2xM14x1 Discontinued	59914180